

### SINK SPECIFICATIONS

Model 3218UM18



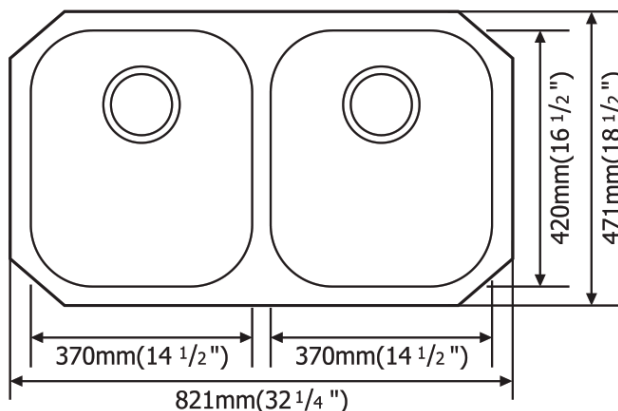
NOMINAL DIMENSIONS

Model 3218UM18 shown

### FEATURES:

- \* 18 gauge, 304 series stainless steel
- \* Rear Drain Placement
- \* Design allows for easy installation in standard 25" countertop
- \* Sound deadening insulation and pads

OVERALL	BOWL DEPTHS		DRAIN
	LEFT	RIGHT	
32-1/4"x 18-1/2"	9"	9"	3-1/2"



### OPTIONAL ACCESSORIES

Stainless Steel Sink Grids: 3218GRID